

GENERAL SPECIFICATIONS

MODEL SSS3C, 3 COMPARTMENT SCRUB SINK

TOP, SIDES, FRONT - 18 GA. (1.3mm) TYPE 304 POLISHED STAINLESS STEEL
BASIN - 16 GA. (1.5mm) TYPE 304 POLISHED STAINLESS STEEL, RADIUS CORNERS
DESIGNED TO REDUCE SPLASHING

WATER NOZZLES - (3) CHROME PLATED, REMOVABLE, POSITIONED TO SPRAY
DOWN AND AWAY TO REDUCE SPLASHING

WATER ACTIVATION - (3) ELECTRIC EYE SENSORS, SENSITIVE 12" - 24" FROM
SENSOR, AUTOMATIC SHUT OFF WHEN OPERATOR MOVES OUT OF RANGE

PLUMBING - BRASS OR COPPER, CHROME PLATED WHERE EXPOSED, 2" WASTE
WITH STRAINER

WATER MIXING - THERMOSTATIC CONTROL VALVE, UP TO 115°F (46°C) VALVE
INCLUDES HOT-COLD CONTROL, STATIC SENSING PROBE
AND INTERNAL STRAINERS

ACCESS DOORS - (3) LOCATED BELOW BASIN ALLOWING COMPLETE UNHAMPERED
ACCESS TO PLUMBING FROM FRONT, UPSWING DOORS ARE
HELD OPEN BY A LOCKING BRACKET

SHIPPING WEIGHT - 400 LB. 181 KG.

SHIPPING VOLUME - 89 CU. FEET 2.52 CU. METERS

OPTIONS:

KNEE OPERATED WATER LEVER

KNEE ACTIVATED MOTORIZED SOAP PUMP SYSTEM
WITH HOT WATER BACKFLUSH

STAINLESS STEEL MOUNTING BASE

CHAIR CARRIER

NOTE: DESIGN OR SPECIFICATIONS SUBJECT
TO CHANGE WITHOUT NOTICE

MODEL #SSS3C SURGICAL SCUB SINK, TRIPLE
COMPARTMENT, 115/60/1

DRAWING IS FOR SALES REFERENCE ONLY

DRAWING BY JJN

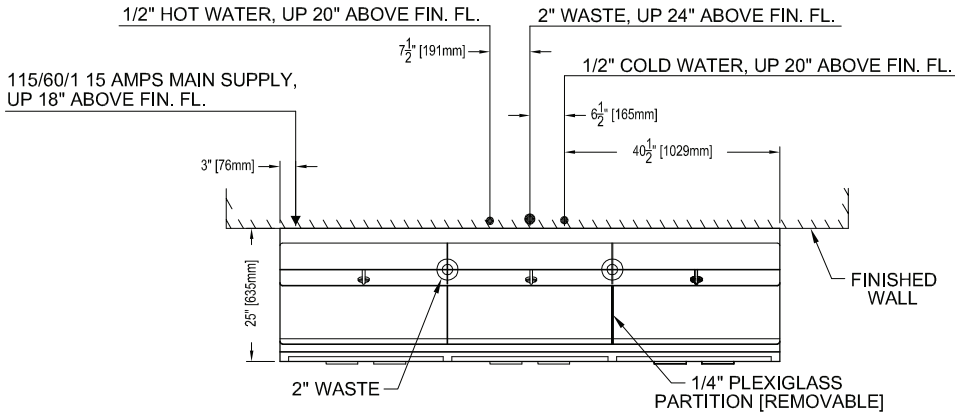
SCALE N.T.S.

DATE 10/01/02

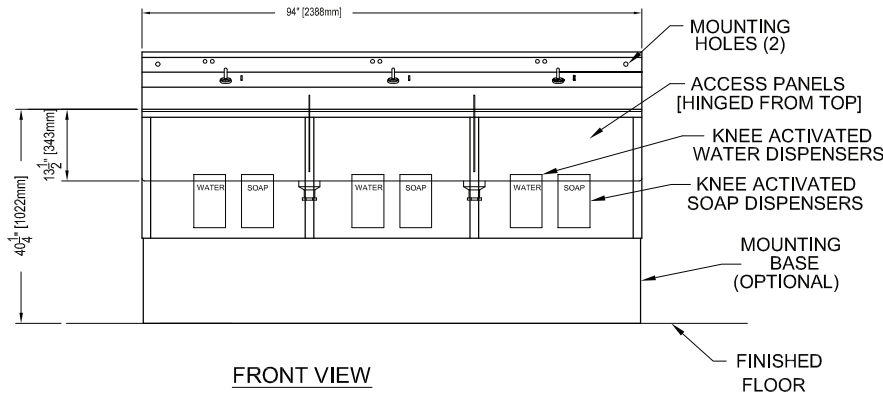
THE INFORMATION CONTAINED IN THIS DRAWING IS THE SOLE PROPERTY OF CSI/JEWETT. USE OF THIS
INFORMATION WITHOUT THE EXPRESSED WRITTEN PERMISSION OF CSI/JEWETT IS STRICTLY PROHIBITED

CSI/JEWETT

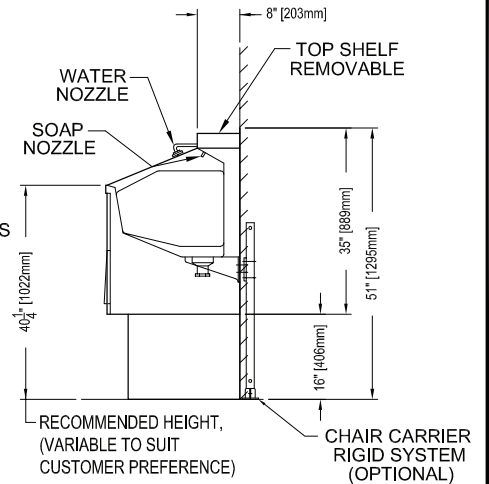
6910 WEST RIDGE ROAD
FAIRVIEW, PA 16415
TEL: (814) 474-9353
FAX: (814) 474-5797



TOP VIEW



FRONT VIEW



SIDE VIEW

MODEL #SSS3C SURGICAL SCUB SINK, TRIPLE COMPARTMENT, 115/60/1

DRAWING IS FOR SALES REFERENCE ONLY

DRAWING BY JJN

SCALE N.T.S.

DATE 10/01/02

THE INFORMATION CONTAINED IN THIS DRAWING IS THE SOLE PROPERTY OF CSI/JEWETT. USE OF THIS INFORMATION WITHOUT THE EXPRESSED WRITTEN PERMISSION OF CSI/JEWETT IS STRICTLY PROHIBITED

CSI/JEWETT

6910 WEST RIDGE ROAD
FAIRVIEW, PA 16415
TEL: (814) 474-9353
FAX: (814) 474-5797