

GENERAL SPECIFICATIONS

MODEL SSS2C, 2 COMPARTMENT SCRUB SINK

TOP, SIDES, FRONT - 18 GA. (1.3mm) TYPE 304 POLISHED STAINLESS STEEL
BASIN - 16 GA. (1.5mm) TYPE 304 POLISHED STAINLESS STEEL, RADIUS CORNERS
DESIGNED TO REDUCE SPLASHING
WATER NOZZLES - (2) CHROME PLATED, REMOVABLE, POSITIONED TO SPRAY
DOWN AND AWAY TO REDUCE SPLASHING
WATER ACTIVATION - (2) ELECTRIC EYE SENSORS, SENSITIVE 12" - 24" FROM
SENSOR, AUTOMATIC SHUT OFF WHEN OPERATOR MOVES OUT OF RANGE
PLUMBING - BRASS OR COPPER, CHROME PLATED WHERE EXPOSED, 2" WASTE
WITH STRAINER
WATER MIXING - THERMOSTATIC CONTROL VALVE, UP TO 115°F (46°C) VALVE
INCLUDES HOT-COLD CONTROL, STATIC SENSING PROBE
AND INTERNAL STRAINERS
ACCESS DOORS - (2) LOCATED BELOW BASIN ALLOWING COMPLETE UNHAMPERED
ACCESS TO PLUMBING FROM FRONT, UPSWING DOORS ARE
HELD OPEN BY A LOCKING BRACKET
SHIPPING WEIGHT - 250 LB. 113 KG.
SHIPPING VOLUME - 43 CU. FEET 1.22 CU. METERS

OPTIONS:

KNEE OPERATED WATER LEVER
KNEE ACTIVATED MOTORIZED SOAP PUMP SYSTEM
WITH HOT WATER BACKFLUSH
STAINLESS STEEL MOUNTING BASE
CHAIR CARRIER

NOTE: DESIGN OR SPECIFICATIONS SUBJECT
TO CHANGE WITHOUT NOTICE

MODEL #SSS2C SURGICAL SCUB SINK, DOUBLE
COMPARTMENT, 115/60/1

DRAWING IS FOR SALES REFERENCE ONLY

DRAWING BY JJN

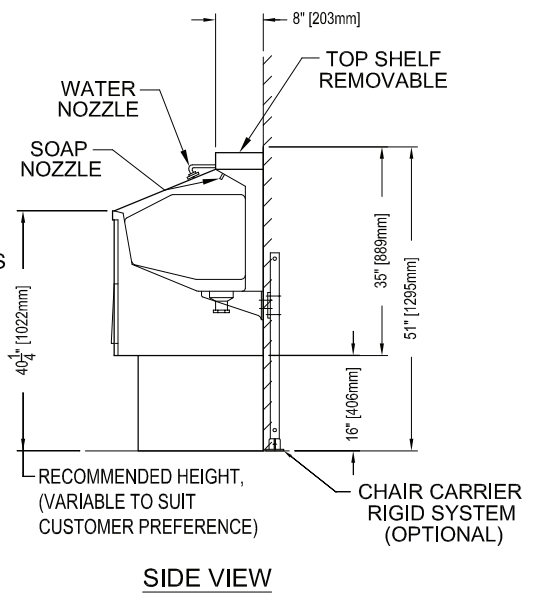
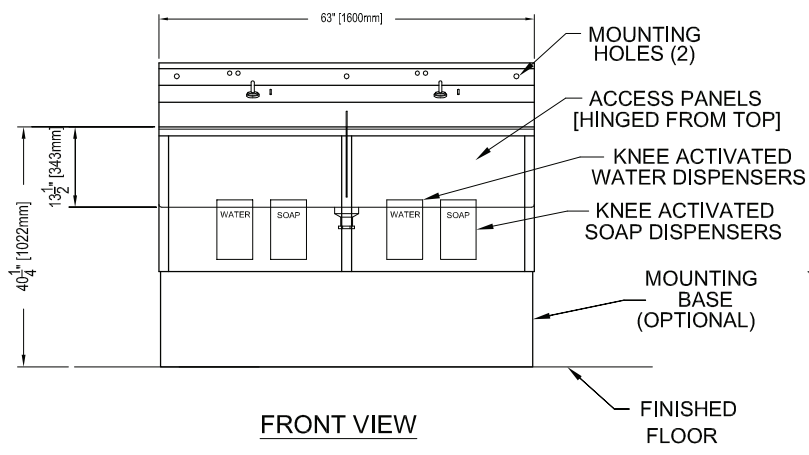
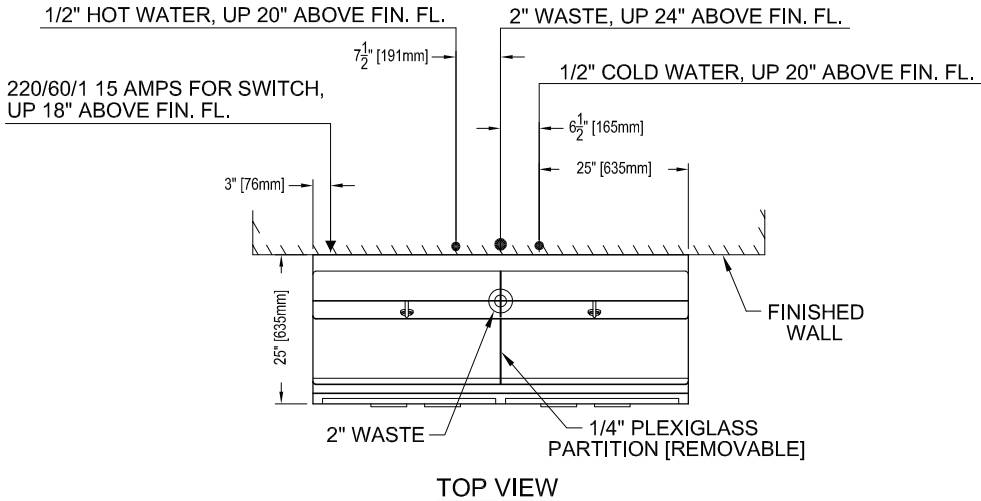
SCALE N.T.S.

DATE 10/01/02

THE INFORMATION CONTAINED IN THIS DRAWING IS THE SOLE PROPERTY OF CSI/JEWETT. USE OF THIS
INFORMATION WITHOUT THE EXPRESSED WRITTEN PERMISSION OF CSI/JEWETT IS STRICTLY PROHIBITED

CSI/JEWETT

6910 WEST RIDGE ROAD
FAIRVIEW, PA 16415
TEL: (814) 474-9353
FAX: (814) 474-5797



MODEL #SSS2C SURGICAL SCUB SINK, DOUBLE COMPARTMENT, 115/60/1

DRAWING IS FOR SALES REFERENCE ONLY
 DRAWING BY JJN SCALE N.T.S. DATE 10/01/02

THE INFORMATION CONTAINED IN THIS DRAWING IS THE SOLE PROPERTY OF CSI/JEWETT. USE OF THIS INFORMATION WITHOUT THE EXPRESSED WRITTEN PERMISSION OF CSI/JEWETT IS STRICTLY PROHIBITED

CSI/JEWETT

6910 WEST RIDGE ROAD
 FAIRVIEW, PA 16415
 TEL: (814) 474-9353
 FAX: (814) 474-5797