

# SR999

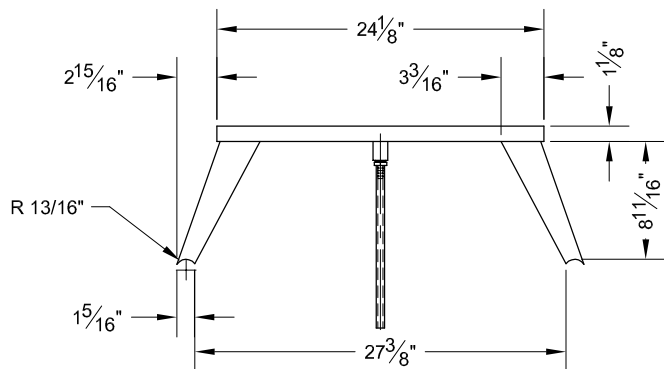
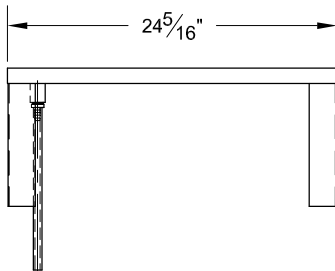
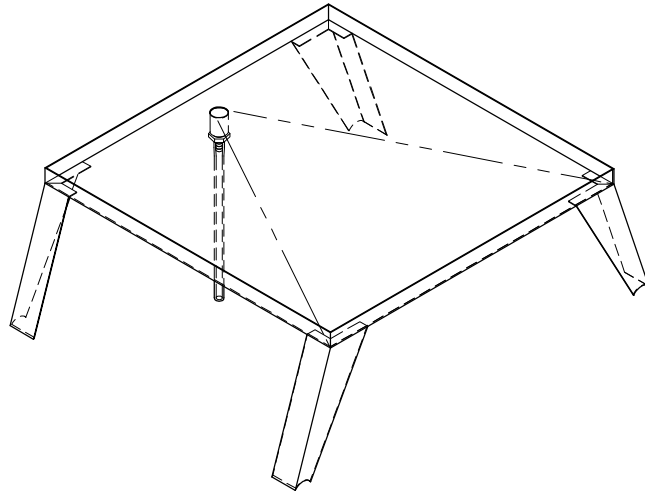
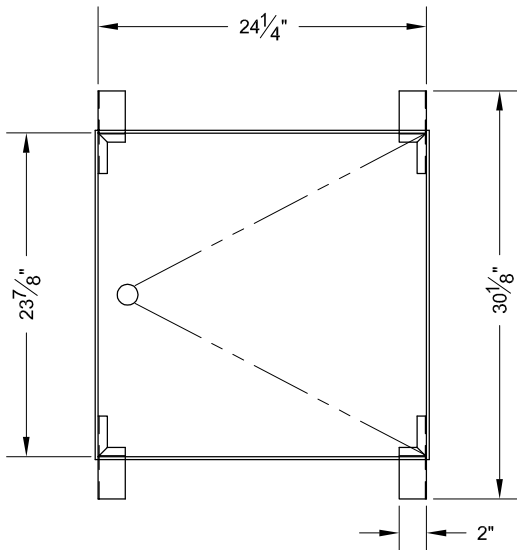
## GENERAL SPECIFICATIONS

### SPECIMEN AND INSTRUMENT TRAY

DIMENSIONS - 24 5/16" (618mm) L X 30 1/8" (765mm) W X 9 7/8" (251mm) H  
 TOP - O.D. 24 5/16" (618mm) L X 24 1/8" (613mm) W X 1 1/8" (29mm) D  
 MATERIAL: 18 GA SS, TYPE 304, #4 FINISH  
 SHIPPING WEIGHT - 10 LB. (4.54 KG.) APPROXIMATELY

### AVAILABLE OPTIONS:

POLYETHYLENE CUTTING BOARD INSERT, 18" (457mm) X 24" (610mm)



SR999, SPECIMEN & INSTRUMENT TRAY

THE INFORMATION CONTAINED IN THIS DRAWING IS THE SOLE PROPERTY OF CSI/JEWETT.  
 USE OF THIS INFORMATION WITHOUT THE EXPRESSED WRITTEN PERMISSION OF  
 CSI/JEWETT IS STRICTLY PROHIBITED

DRAWING IS FOR SALES REFERENCE ONLY

DRAWING BY **DNB** SCALE **NTS** DATE **3/20/09**

**CSI/JEWETT**

6910 WEST RIDGE ROAD  
 FAIRVIEW, PA 16415  
 TEL: (814) 474-9353  
 FAX: (814) 474-5797