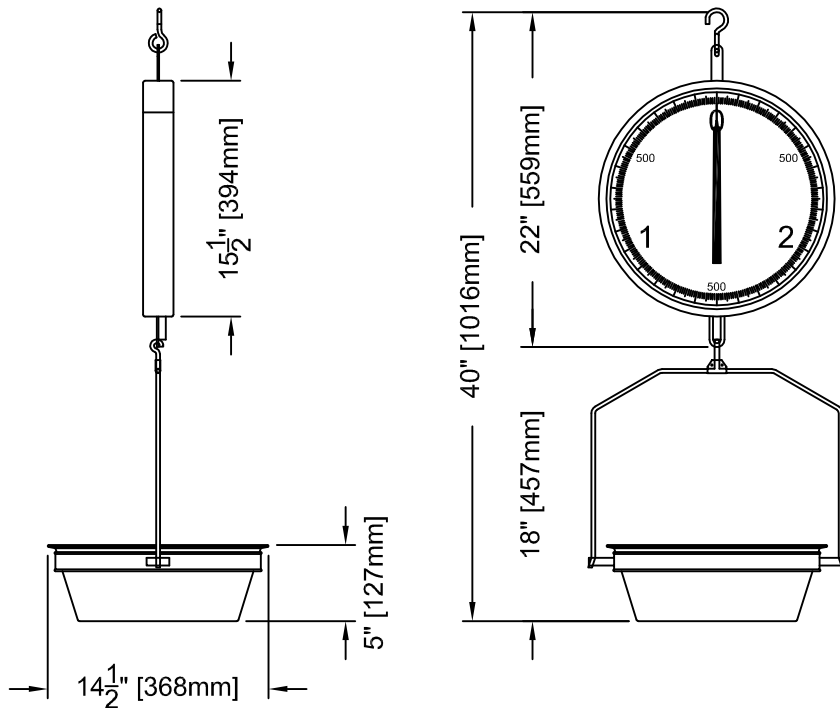
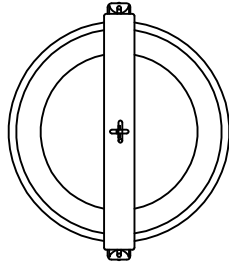


SR601-1315

GENERAL SPECIFICATIONS

AUTOPSY SCALE

DIMENSIONS - 40" (1016mm) IN LENGTH
 DIAL - Ø13" (330mm), CHROME-PLATED HOUSING
 PAN - Ø14 1/2" (368mm), STAINLESS STEEL, PERFORATED BOTTOM
 CAPACITY - 15-25 g
 WEIGHT - 40 LB. (18.1kg) APPROXIMATELY



SR601-1315, AUTOPSY SCALE

DRAWING IS FOR SALES REFERENCE ONLY

DRAWING BY DNB SCALE NTS DATE 3/20/09

THE INFORMATION CONTAINED IN THIS DRAWING IS THE SOLE PROPERTY OF CSI/JEWETT.
 USE OF THIS INFORMATION WITHOUT THE EXPRESSED WRITTEN PERMISSION OF
 CSI/JEWETT IS STRICTLY PROHIBITED

CSI/JEWETT

6910 WEST RIDGE ROAD
 FAIRVIEW, PA 16415
 TEL: (814) 474-9353
 FAX: (814) 474-5797