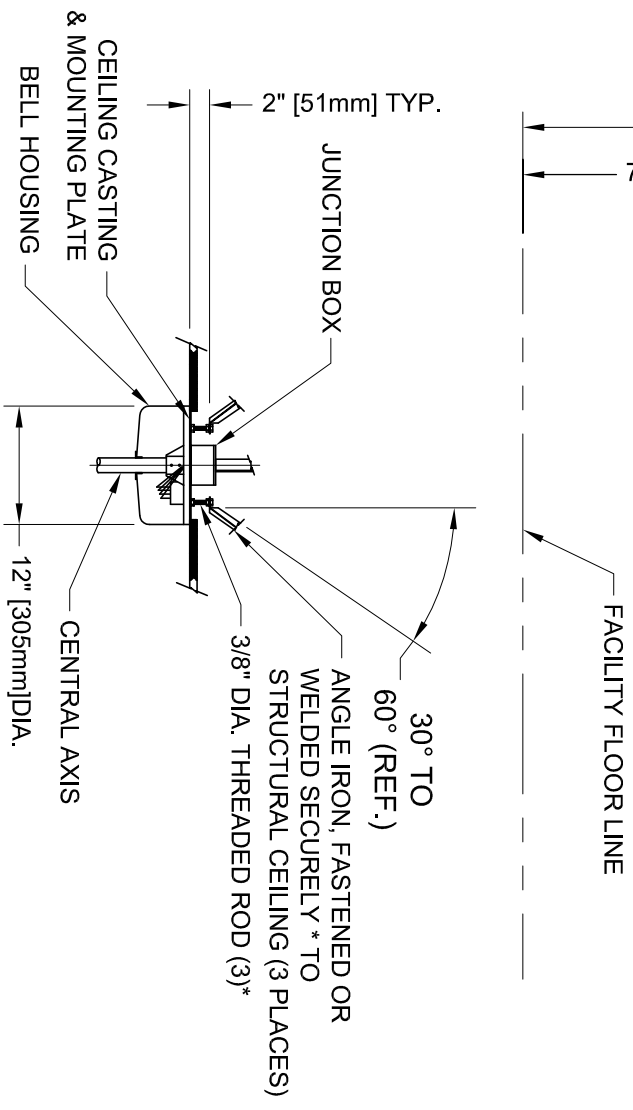
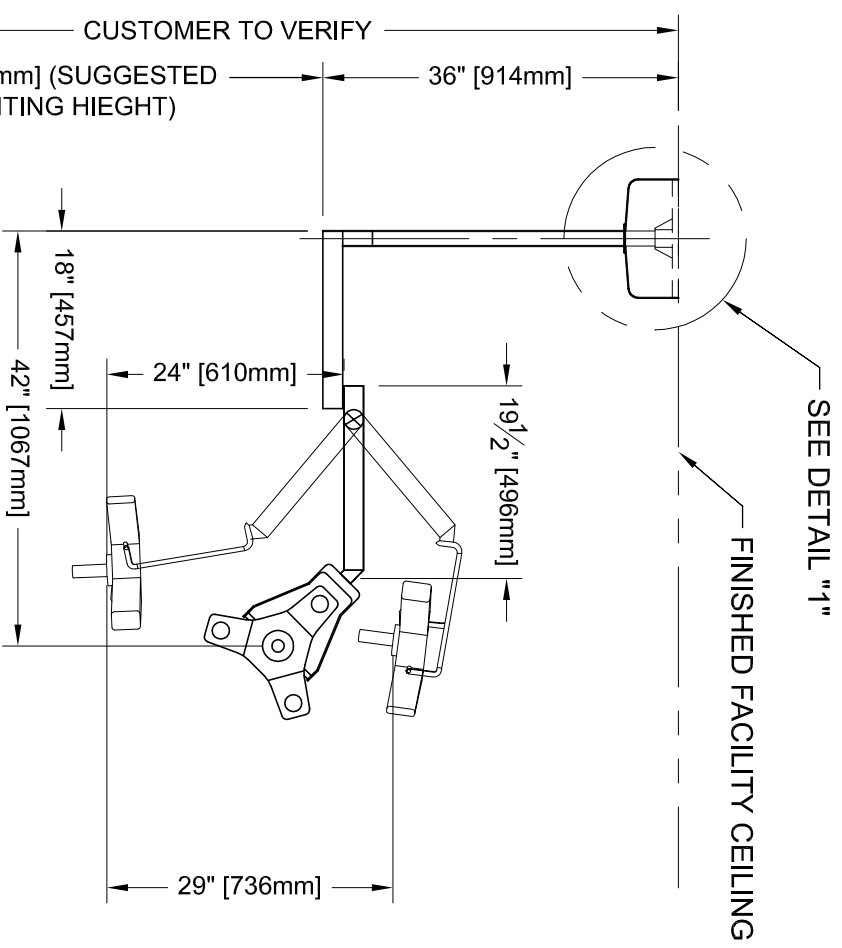


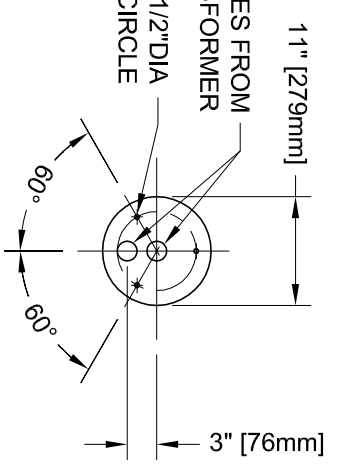
ITEM	QTY	DESCRIPTION



GENERAL SPECIFICATIONS

8000 FOOT CANDLES (87000 Lux) AT 24" [61mm]
 3300°K COLOR TEMPERATURE
 QUANTITY 3 50-WATT HALOGEN BULBS EACH WITH 5600 HOUR AVERAGE BULB LIFE
 BULBS ARE WIRED IN PARALLEL TO ASSURE CONTINUOUS OPERATION
 FOCUSES WITH CENTRAL REMOVABLE AUTOCLAVABLE HANDLE
 FRICTION KNOB ALLOWS USER TO POSITION SELF-BALANCING ARM WITHOUT
 TOOL FOR DRIFT FREE POSITIONING
 COOL OPERATION ASSURED WITH HEAT FILTERS AND DICHRIC COATING
 120 VOLT 60 HZ MODEL STANDARD, OPTIONAL 230 VOLT 50 HZ MODELS AVAILABLE
 UL 60601-1/60601-2-41 CERTIFIED

(2) 2" DIA. HOLES TO FEED WIRES FROM
 JUNCTION BOX AND TRANSFORMER
 (3) MOUNTING HOLES 1/2" DIA
 EQUIDISTANT ON 8" DIA. HOLE CIRCLE



STEEL PLATE DETAIL
 (FURNISHED BY OTHERS)

THIS PRODUCT WILL BE RELEASED FOR MANUFACTURING UPON RECEIPT OF THIS APPROVED DRAWING. CHANGES MADE AFTER THE RETURN OF THIS APPROVED DRAWING MAY AFFECT THE FINAL PRICE AND DELIVERY DATE

DIMENSIONS & DESIGN SHOWN:
 APPROVED WITHOUT CHANGES
 APPROVED WITH CHANGES
 REVISE AND RESUBMIT

SIGN _____ DATE _____
 PRINT NAME _____
 COMPANY NAME _____
 PHONE _____

REV.	DATE	REVISION
A	6/4/09	REDRAWN PER NEW DESIGN

THE INFORMATION CONTAINED IN THIS DRAWING IS THE SOLE PROPERTY OF CSI/JEWETT. USE OF THIS INFORMATION WITHOUT THE EXPRESSED WRITTEN PERMISSION OF CSI/JEWETT IS STRICTLY PROHIBITED

SURGICAL LIGHT, CEILING MOUNTED
 MODEL SR2369

DRAWING BY	RB	SIZE	B
SCALE	N.T.S.	DATE	6/4/09
DRAWING NO.	SR2369	SHT NO.	1 OF 1

CSI/JEWETT 6910 WEST RIDGE ROAD
 FAIRVIEW, PA 15415