

GENERAL SPECIFICATIONS

8000 FOOT CANDLES (87000 Lux) AT 24" [61mm]

3300°K COLOR TEMPERATURE

QUANTITY 3 50-WATT HALOGEN BULBS EACH WITH 5600 HOUR AVERAGE BULB LIFE

BULBS ARE WIRED IN PARALLEL TO ASSURE CONTINUOUS OPERATION

FOCUSES WITH CENTRAL REMOVABLE AUTOCLAVABLE HANDLE

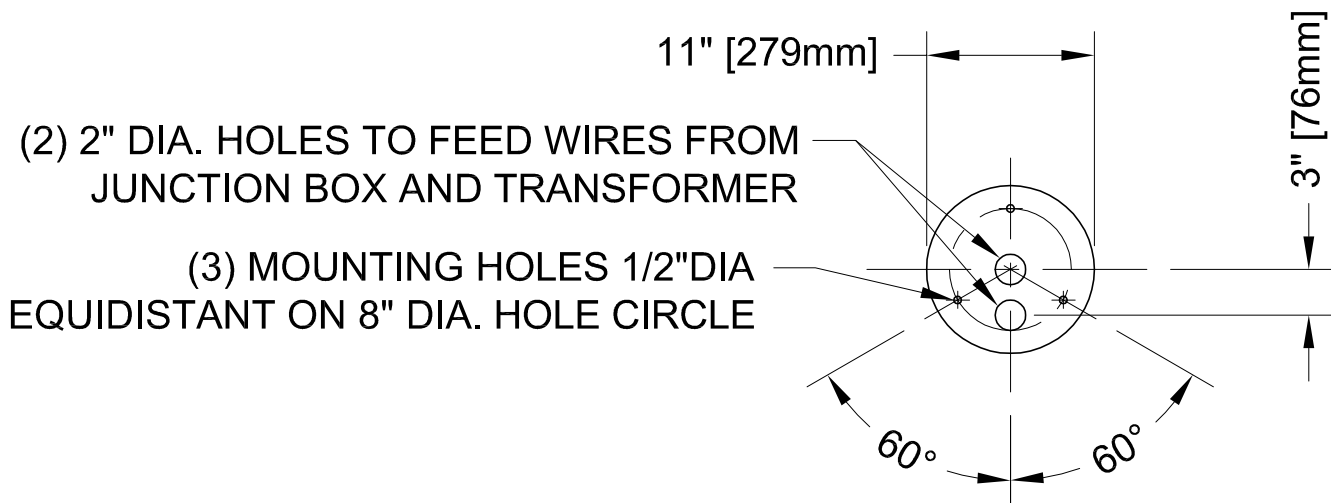
FRICTION KNOB ALLOWS USER TO POSITION SELF-BALANCING ARM WITHOUT

TOOL FOR DRIFT FREE POSITIONING

COOL OPERATION ASSURED WITH HEAT FILTERS AND DICHROIC COATING

120 VOLT 60 Hz MODEL STANDARD; OPTIONAL 230 VOLT 50 Hz MODELS AVAILABLE

UL 60601-1/60601-2-41 CERTIFIED



STEEL PLATE DETAIL (FURNISHED BY OTHERS)

MODEL SR2369 SUGICAL LIGHT, CEILING MOUNTED

DRAWING IS FOR SALES REFERENCE ONLY

DRAWING BY RB

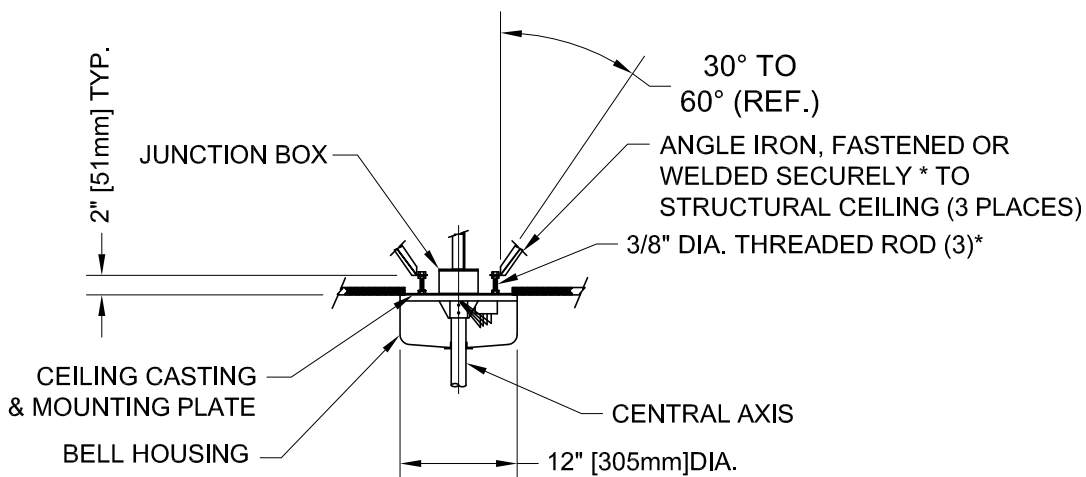
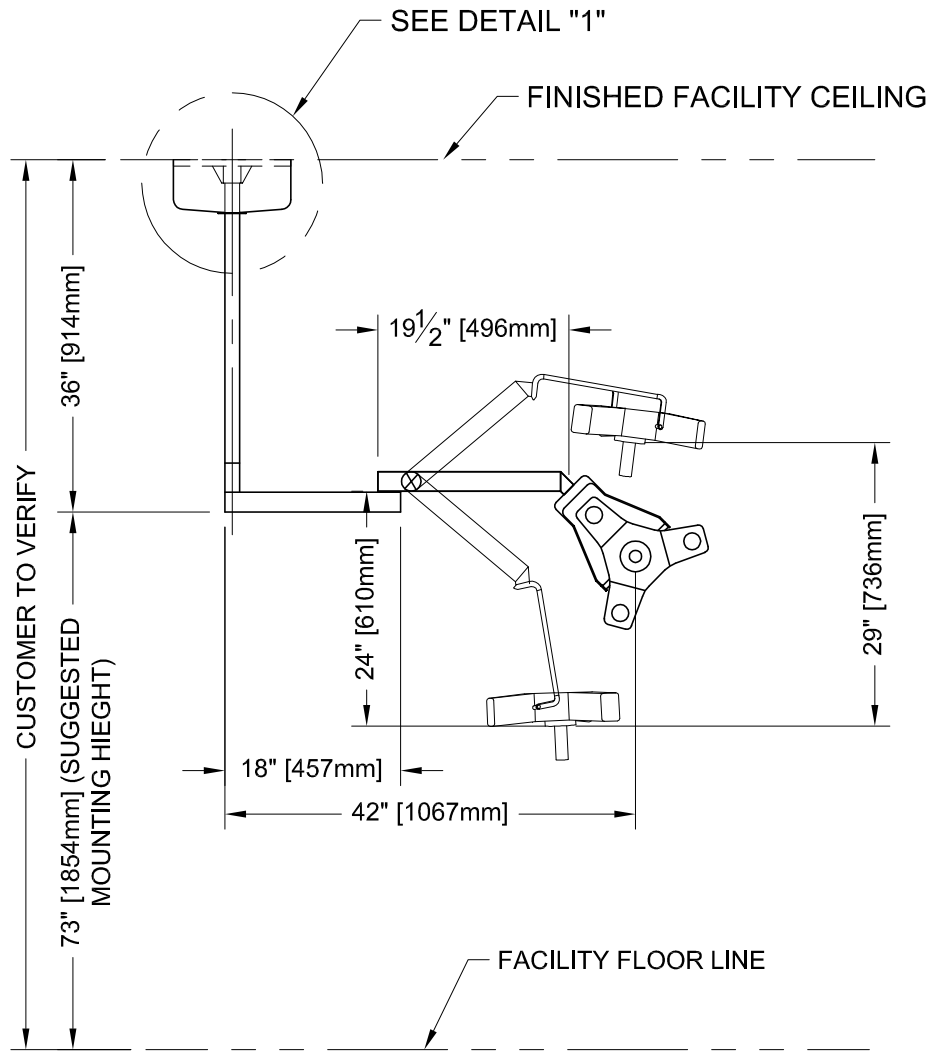
SCALE N.T.S.

DATE 6/4/09

THE INFORMATION CONTAINED IN THIS DRAWING IS THE SOLE PROPERTY OF CSI/JEWETT.
USE OF THIS INFORMATION WITHOUT THE EXPRESSED WRITTEN PERMISSION OF
CSI/JEWETT IS STRICTLY PROHIBITED

CSI/JEWETT

6910 WEST RIDGE ROAD
FAIRVIEW, PA 16415
TEL: (814) 474-9353
FAX: (814) 474-5797



DETAIL "1"

MODEL SR2369 SURGICAL LIGHT, CEILING MOUNTED

THE INFORMATION CONTAINED IN THIS DRAWING IS THE SOLE PROPERTY OF CSI/JEWETT. USE OF THIS INFORMATION WITHOUT THE EXPRESSED WRITTEN PERMISSION OF CSI/JEWETT IS STRICTLY PROHIBITED

DRAWING IS FOR SALES REFERENCE ONLY

DRAWING BY RB

SCALE N.T.S.

DATE 6/4/09

CSI/JEWETT

6910 WEST RIDGE ROAD
FAIRVIEW, PA 16415
TEL: (814) 474-9353
FAX: (814) 474-5797