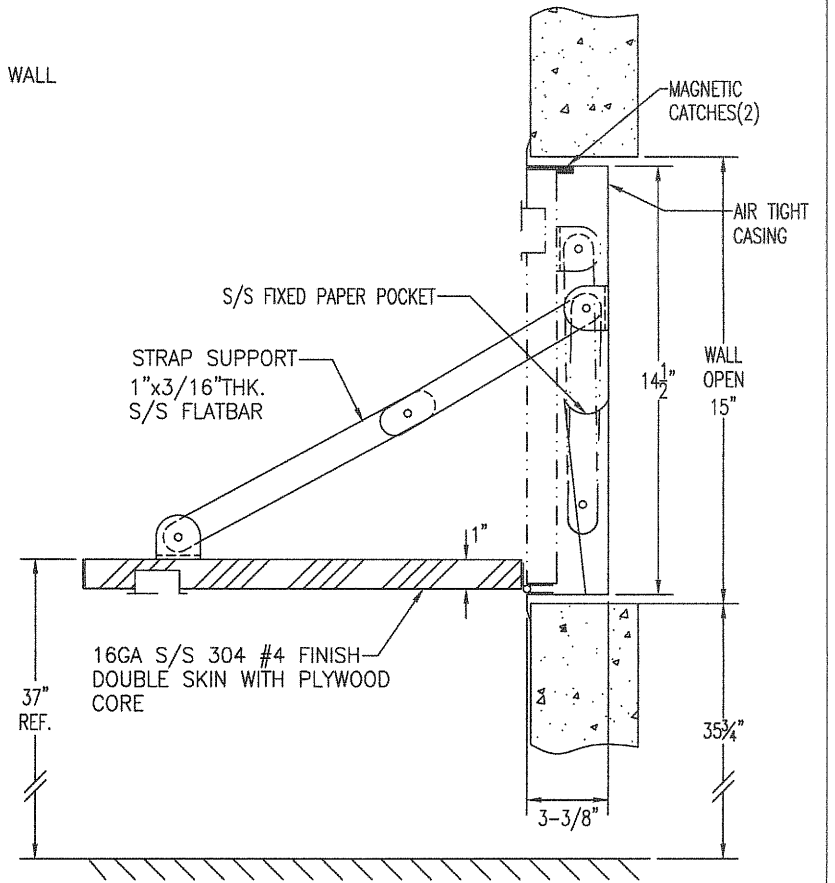


FRONT VIEW



SIDE VIEW

**CSI/Jewett**  
 6910 West Ridge Road  
 Fairview PA 16415  
 1-800-937-9033

CUSTOMER:		DESCRIPTION: FOLD DOWN NURSES WRITING DESK	ITEM #:
REVISIONS:		DRAWN: AMIR K	PROJECT #:
A	MAR 10, 08	DATE: FEB 21, 08	DRAWING #: SWD 200
B		SCALE: N.T.S	
C		SHEET: 1 OF: 1	
		PROJECT:	